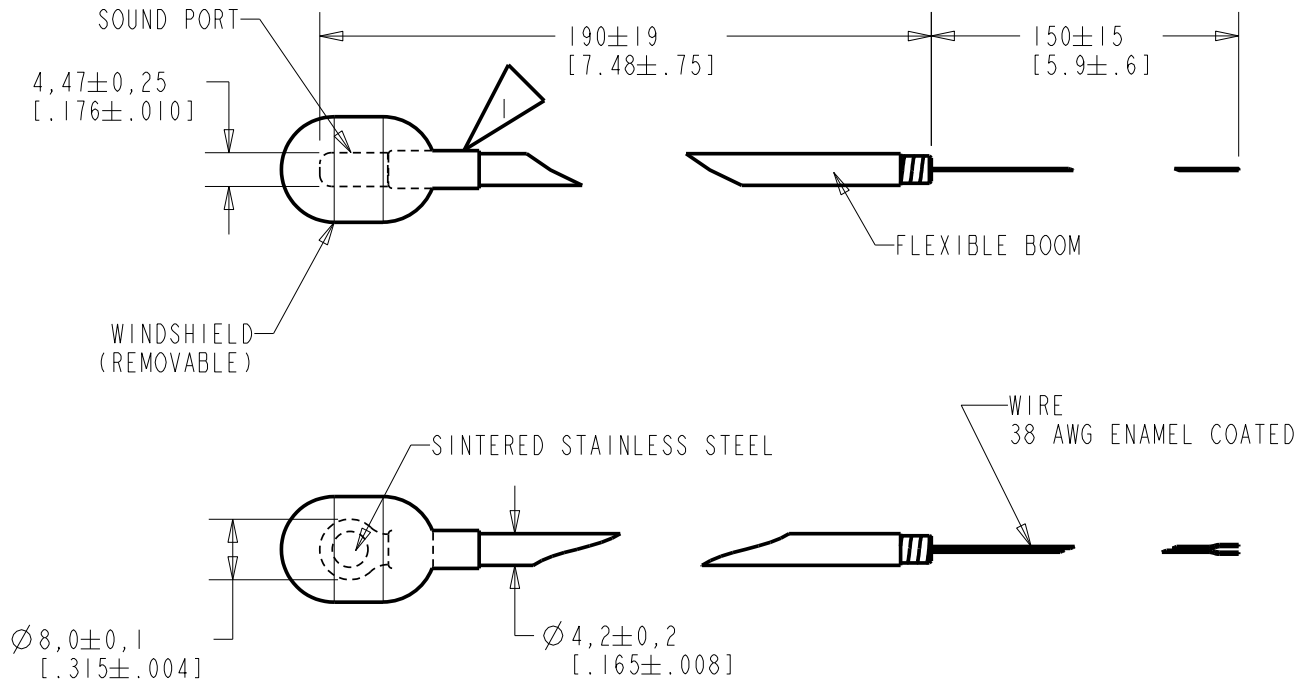


FB-DW-23794-000
SHT 1.1

 THE FRONT SOUND PORT IS ADJACENT TO THE MODEL NUMBER IDENTIFICATION.



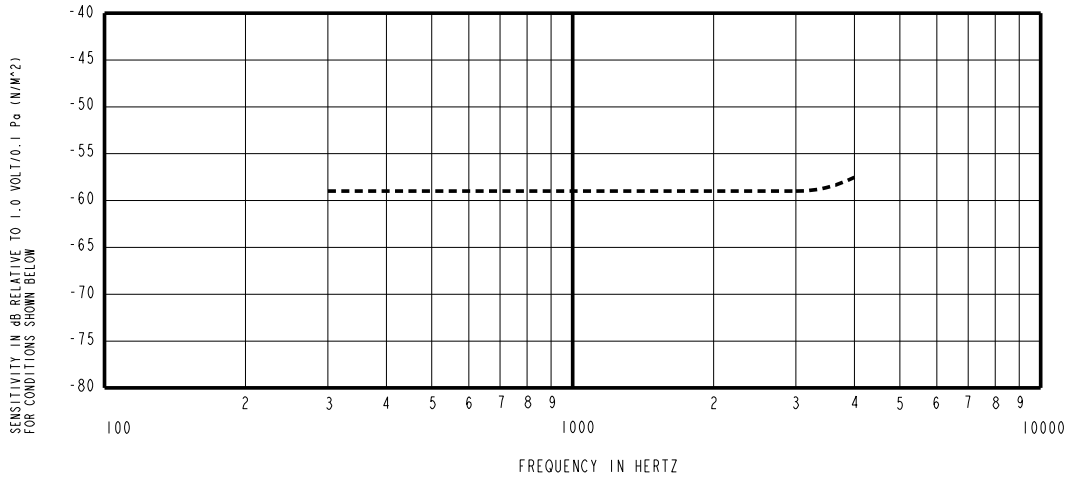
WIRE COLOR		WEIGHT GRAMS
+ve	-ve	
RED	BLUE	13.1

DIMENSIONS IN MILLIMETERS [INCHES]

Revision	C.O. #	Implementation Date	RELEASE LEVEL	REVISION
			Active	D
D	C10107745	8-4-08		

SCALE: 1:1	DR. BY: MMM	DATE: 5-11-06
DO NOT SCALE DRAWING	CK. BY: GJP	DATE: 5-17-06
TITLE: BOOM MICROPHONE	APP. BY: GJP	DATE: 5-17-06
OUTLINE DRAWING	FB-DW-23794-000 SHT 1.1	

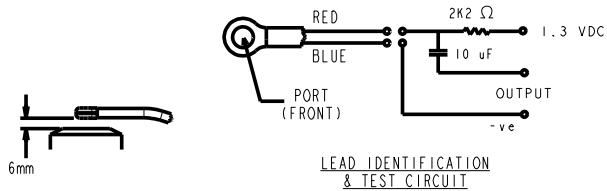
KNOWLES ELECTRONICS
ITASCA, ILLINOIS U.S.A.



NOTES:

- MICROPHONE TO BE FUNCTIONAL WITH 10 VDC SUPPLY.
- SENSITIVITY VALUES INDICATED ON THIS SPECIFICATION ARE VALID AT 50% HUMIDITY.
- | FREQUENCY | SENSITIVITY | | |
|-----------|-------------|-------|-------|
| | MIN | NOM | MAX |
| 300 | --- | -59.0 | --- |
| 1000 | -62.0 | -59.0 | -56.0 |
| 4000 | --- | -58.0 | --- |
- TEST CONDITIONS:
HEAD OF BOOM EXPOSED TO 74 dB SPL SWEPT SOUND FIELD AT 6mm FROM VOICE APERTURE.
ARTIFICIAL VOICE:
B & K 4227 MOUTH SIMULATOR.
- FOR MICROPHONE CAPSULE SPEC. SEE WP-25993-C97 SHEET 2.1

RANGE OF DEVIATION FROM 1 kHz	DEVICE CONFORMITY	
	-3.0	+3.0
0	0	0
-2.0	+4.0	



KNOWLES ELECTRONICS
ITASCA, ILLINOIS U.S.A.

Revision	C.O. #	Implementation Date	RELEASE LEVEL	REVISION
			Active	D
D	C10107745	8-4-08		

WHEN TEST LIMITS ARE USED TO ESTABLISH INCOMING INSPECTION ACCEPTANCE/REJECTION CRITERIA, CORRELATION OF TEST EQUIPMENT WITH KNOWLES IS ALSO REQUIRED FOR ELIMINATION OF EQUIPMENT AND TEST METHOD VARIATION		DR. BY	DATE
		MMM	5-11-06
TITLE: BOOM MICROPHONE		CK. BY	DATE
PERFORMANCE SPECIFICATION		GJP	5-17-06
FB-DW-23794-000		APP. BY	DATE
SHT 2.1		GJP	5-17-06